

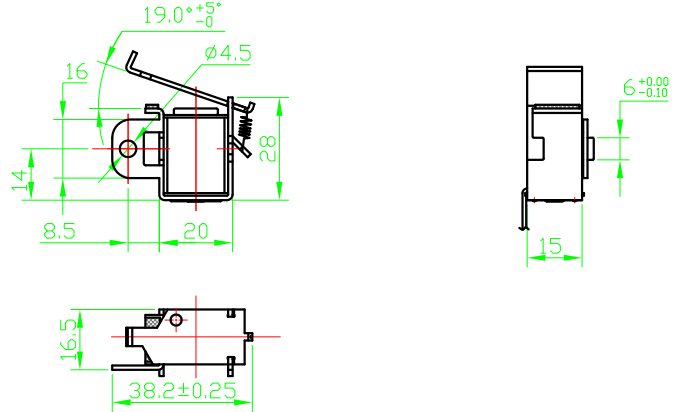
ZHF-1227 Flapper Solenoids

ISO/TS16949 ISO9000 ISO14000
RoHS REACH CE UL VDE TÜV



总重量 Total Weight: 40g
应用范围: 用于打印机等
APPLICATION: PRINTER etc

类型: 拉式 TYPE: PULL



单位:mm Units:mm 通电状态 Shown Energized

1. 标准试验条件 (STANDARD TEST CONDITION)

- 1-1 环境 (AMBIENCE) 周围温度 (AMBIENCE TEMP): $20^{\circ}\text{C} \pm 2^{\circ}\text{C}$
相对湿度 (RELATIVE HUMIDITY): 65 ± 5
大气压 (ATMOSPHERIC PRESSURE): 1013mbar
- 1-2 试验负载 (LOAD) 负载 (COUNTER WEIGHT)
- 1-3 电源 (POWER) 稳定电源 (电压变动1mVrms MAX)
<STEADY POWER (RIPPLE VOLTAGE 1mVrms MAX)>

2. 额定参数 (RATED VOLTAGE)

- 2-1 电压 (VOLTAGE): DC24V
- 2-2 电流 (CURRENT): 0.2A (at DC24V 20°C)
- 2-3 功率 (WATTAGE): 4.8W
- 2-4 使用电压范围: $\text{DC}24 \pm 5\% \text{V}$
- 2-5 直流电阻 (DC RESISTANCE): $120\Omega \pm 5\%$ (周围温度20°C)
- 2-6 工作循环 (DUTY CYCLE): ON: 0.1Sec OFF: 1Sec
- 2-7 绝缘等级 (INSULATION CLASS): B类 (CLASS B)

3. 电气特性 (ELECTRONICAL CHARACTERISTICS)

3-1 吸引力 (ATTRACTING FORCE)

行程 (STROKE)	DC - 24V (初始值)
0mm	>300gf
19° (10mm)	能自由吸合 (竖着)

- 3-2 残留吸引力 (RESIDUAL MAGNETISM) 在DC-20V下, 小于15gf (垂直方向)
LESS THAN 15gf AFTER DC-20V APPLIED (PERPENDICULAR DIRECTION)
- 3-3 绝缘电阻 (INSULATION RESISTANCE) 线圈和框架间100MΩ (500VDC常规温度/湿度)
BETWEEN COIL AND FRAME DC500V NORMAL TEMP/HUMIDITY, 100MΩ MEGGER
- 3-4 耐电压 (DIELECTRIC STRENGTH) 线圈和框架间AC1000V (50/60Hz) 1Min或
AC1200V (50/60Hz) 1Sec (击穿电流1mA)
BETWEEN COIL AND FRAME AC1000V (50/60Hz) 1Min OR AC1200V (50/60Hz) 1Sec (1mA)
- 3-5 温升 (TEMPERATURE RISE) 在电压DC-24V下, 温升为90°CMax
AFTER DC-24V APPLIED BY RESISTANCE METHOD 90 deg MAX
- 3-6 寿命 (LIFE) 典型值为10万次 (通电0.1秒, 断电1秒)
REPETITIVE OPERATION FOR 0.1MILLION CYCLE (ON: 0.1Sec OFF: 1Sec) at DC24V
- 3-7 工作温度、湿度 (OPERATING TEMP/HUMIDITY) $-5^{\circ}\text{C} \sim +40^{\circ}\text{C}$, 5% RH ~ 85%RH