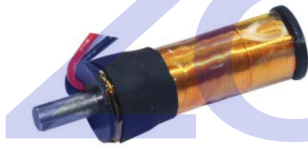
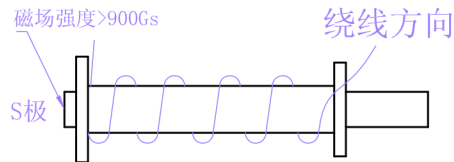
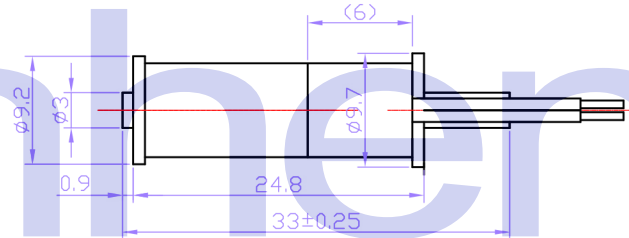


ZHB-0925 Bobbin Solenoid

ISO/TS16949 ISO9000 ISO14000
RoHS REACH CE UL VDE TÜV



类型：电磁阀线圈 TYPE:SOLENOID VALVE COIL



总重量 Total Weight: 42g
应用范围：电磁铁用线包
APPLICATION:Valve Coil

型号Type no.

ZHB-0925L-XX A XX

| | |
|-------|-------|
| L | S |
| 拉Pull | 推Push |

电压Voltage (V)

系列号Serial No. :A, B, C...

电阻Resistance (Ω)

PERFORMANCE PROMETER 性能参数

单位:mm Units:mm

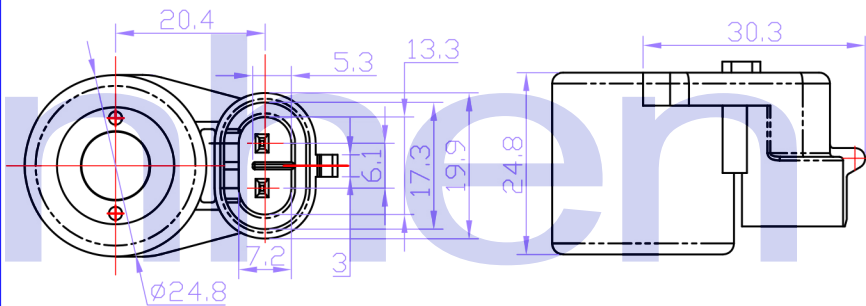
| | | | | |
|--|--------------------------|----------------------|----------------------|----------------------|
| 工作周期(%) = $\frac{\text{工作时间}}{\text{工作时间}+\text{断开时间}} \times 100\%$ Duty cycle(%) = $\frac{\text{"ON" time}}{\text{"ON" time}+\text{"OFF" time}} \times 100\%$ | 连续 Continuous 100% | 间断 Or less 50% | 间断 Or less 25% | 间断 Or less 10% |
| 最大工作时间(秒) MAX. "on" time in seconds | ∞ | 20 | 10 | 1 |
| 瓦特(W) (20°C) Watts at 20°C | 2.4 | 9.6 | 14.4 | 28.8 |
| 安匝数AT (20°C) Ampere-turns at 20°C | 454 | 941 | 1124 | 1640 |

ZHB-2525 Bobbin Solenoid

ISO/TS16949 ISO9000 ISO14000
RoHS REACH CE UL VDE TÜV



类型：电磁阀线圈 TYPE: SOLENOID VALVE COIL



总重量 Total Weight: 56g
应用范围：电磁阀用线包
APPLICATION:Valve Coil

型号Type no.

ZHB-2525L-XX A XX

| | |
|-------|-------|
| L | S |
| 拉Pull | 推Push |

电压Voltage (V)

系列号Serial No. :A, B, C...

电阻Resistance (Ω)

PERFORMANCE PROMETER 性能参数

单位:mm Units:mm

| | | | | |
|--|--------------------------|----------------------|----------------------|----------------------|
| 工作周期(%) = $\frac{\text{工作时间}}{\text{工作时间}+\text{断开时间}} \times 100\%$ Duty cycle(%) = $\frac{\text{"ON" time}}{\text{"ON" time}+\text{"OFF" time}} \times 100\%$ | 连续 Continuous 100% | 间断 Or less 50% | 间断 Or less 25% | 间断 Or less 10% |
| 最大工作时间(秒) MAX. "on" time in seconds | ∞ | 30 | 10 | 3 |
| 瓦特(W) (20°C) Watts at 20°C | 2.4 | 12 | 18 | 36 |
| 安匝数AT (20°C) Ampere-turns at 20°C | 418 | 968 | 1221 | 1727 |