

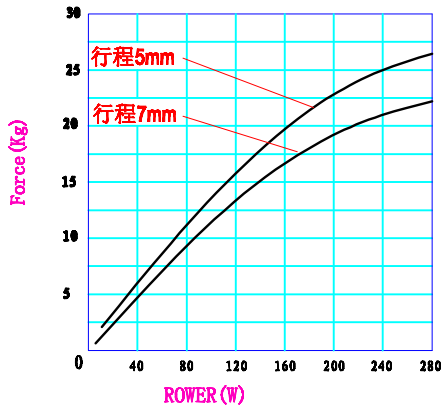
ZHT-8085L/S Tubular Solenoid

ISO/TS16949 ISO9000 ISO14000
RoHS REACH CE UL VDE TÜV

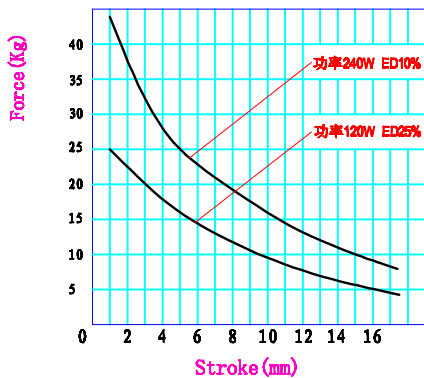


总重量 Total Weight: 2100g
应用范围: 用于钢琴等
APPLICATION: PIANO ect

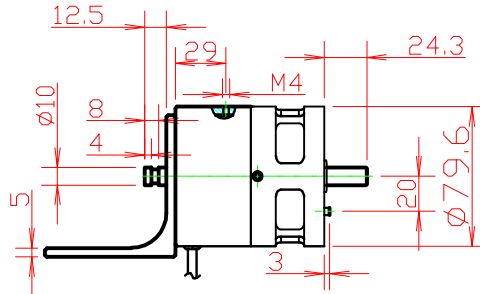
AMPERE-TURNS Vs FORCE
安匝/吸引力



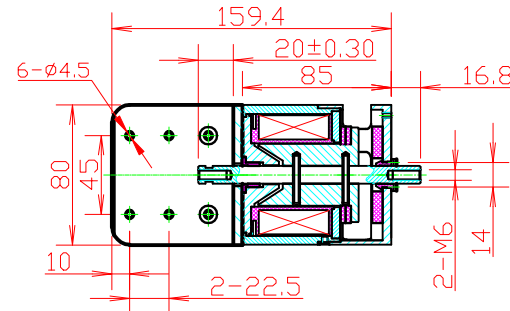
POWER Vs FORCE
功率/吸引力



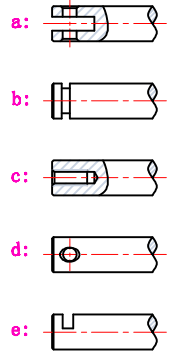
类型: 推式 TYPE: PUSH



单位:mm Units:mm 通电状态 Shown Energized



顶杆外部与负载连接的典型结构
push shaft type:



圆管式ZHT

典型参数 typical parameters

1. 额定参数 (RATED PARAMETER)

- 1-1 电压 (VOLTAGE): DC43V
- 1-2 电流 (CURRENT): 5.7A (at DC43V 20°C)
- 1-3 功率 (WATTAGE): 246.5W
- 1-4 使用电压范围: DC43V±10%
- 1-5 直流电阻 (DC RESISTANCE): 7.5Ω±10% (周围温度20°C)
- 1-6 工作循环 (DUTY CYCLE): 10%通电, 最长通电时间: 5min
- 1-7 绝缘等级 (INSULATION CLASS): N类 (CLASS N)

2. 电气特性 (ELECTRICAL CHARACTERISTICS)

2-1 吸引力 (ATTRACTING FORCE)

行程 (STROKE)	(初始值) DC43V
7mm	21Kgf (MIN)

- 2-2 残余吸引力 (RESIDUAL MAGNETISM) 在DC-43V下, 滑杆的重量加上30gf(垂直方向)
AFTER DC-43V APPLIED SHALL BE RETURN AT WEIGHT OF PUNGER AND 30gf (PERPENDICULAR DIRECTION)
- 2-3 绝缘电阻 (INSULATION RESISTANCE) 线圈和框架间100MΩ (500VDC常温/湿度)
BETWEEN COIL AND FRAME DC500V NORMAL TEMP/HUMIDITY, 100MΩ MEGGER
- 2-4 耐电压 (DIELECTRIC STRENGTH) 线圈和框架间AC1000V (50/60Hz) 1分钟或
AC1200V (50/60Hz) 1秒钟(击穿电流10mA)
BETWEEN COIL AND FRAME AC1000V (50/60Hz) 1min OR AC1200V (50/60Hz) 1Sec (10mA)
- 2-5 温升 (TEMPERATURE RISE) 在电压DC45V下, 温升为140°C Max (通1秒 断0秒, 持续30分钟)
AFTER DC45V APPLIED BY RESISTANCE METHOD 140 deg MAX
- 2-6 寿命 (LIFE) 在电压45V下, 寿命达10万次以上(通1秒 断0秒)
REPETITIVE OPERATION FOR 0.1 MILLION CYCLE (ON: 1Sec OFF: 9Sec) at DC 45V
- 2-7 工作温度、湿度 (OPERATING TEMP/HUMIDITY) 0°C ~40°C, 5%RH~85%RH